

THz cuvettes are intended for spectroscopic analysis of various substances. A cuvette is some volume interposed between two windows transparent in a specific wavelength range. The window material is selected depending on the measurement range. The basic configuration is supplied with TPX windows. On customer's request they can be replaced with crystal quartz, sapphire or silicon windows.

TYDEX manufactures three types of THz cuvettes:

- cuvettes for particulate samples;
- cuvettes for liquid samples;
- cuvettes for gaseous samples.



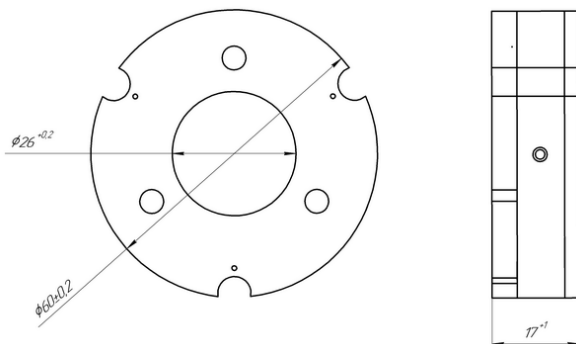
The standard cuvette characteristics are given below.

| Characteristics | Cuvette for particulate samples | Cuvette for liquid samples | Cuvette for gaseous samples |
|----------------------|---------------------------------|---|-----------------------------|
| Clear aperture, mm | 25.0 | 25.0 | 25.0 |
| Window material | TPX | TPX | TPX |
| Sample thickness, mm | 1, 2, 5, 10* | 1 | 50 |
| Package contents | Baseplate, knife, liners | Syringe, silicone tube, additional nozzle | - |

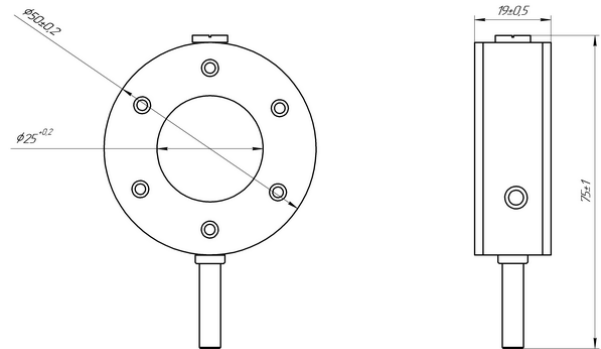
* - on request, the cuvette may be equipped with additional liners to increase the thickness of the sample

Standard cuvette dimensions

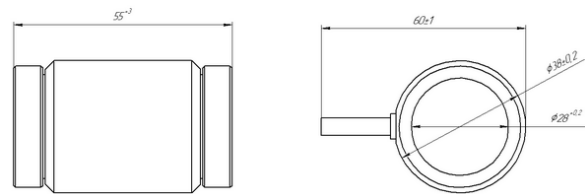
Cuvette for particulate samples



Cuvette for liquid samples



Cuvette for gaseous samples



The standard THz cuvettes are available from stock. For price quotation and delivery please fill in request form at our website.

Custom sizes are manufactured upon request. Minimum dimensions are in the table below.

| Characteristics | Cuvette for particulate samples | Cuvette for liquid samples | Cuvette for gaseous samples |
|------------------------------|---------------------------------|----------------------------|-----------------------------|
| Minimum clear aperture, mm | 12.5 | 12.5 | 12.5 |
| Minimum sample thickness, mm | 0.5 | 0.5 | 25.0 |